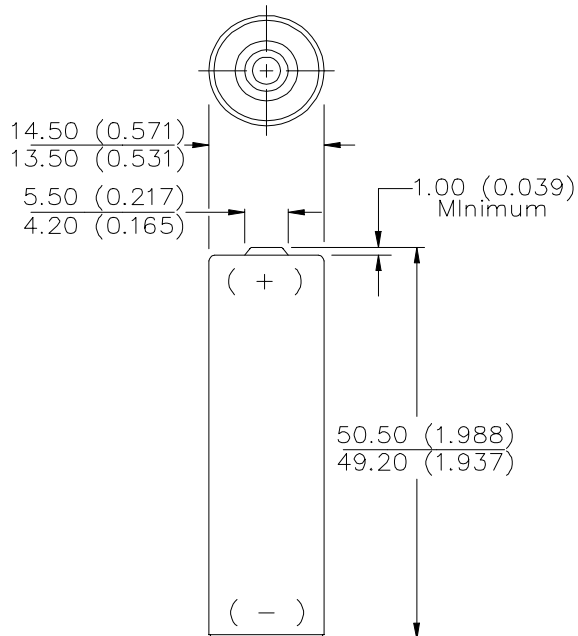


ENERGIZER NO. NH15

AA



Industry Standard Dimensions in mm (inches)



Description: Rechargeable 1.2V
Chemical System: Nickel-Metal Hydride (NiMH)
Designation: ANSI-1.2H2
Battery Voltage: 1.2 Volts
Average Capacity: 2100 mAh (to 1.0 volts)
 (Based on 420 mA (0.2C) discharge rate)
Average Weight: 27.0 grams (1.0 oz.)
Volume: 8.3 cubic centimeters (0.5 cubic inch)
Jacket: Plastic Label

Internal Resistance

The internal resistance of the cell varies with state of charge, as follows:

Cell Charged	Cell 1/2 Discharged
30 milliohms	40 milliohms
(tolerance of ±20% applies to above values)	

AC Impedance (No Load)

The impedance of the charged cell varies with frequency, as follows:

Frequency (Hz)	Impedance (milliohms) (Charged Cell)
1000	12

Note: Above values based on AC current set at 1.0 ampere. Value tolerances are ±20%

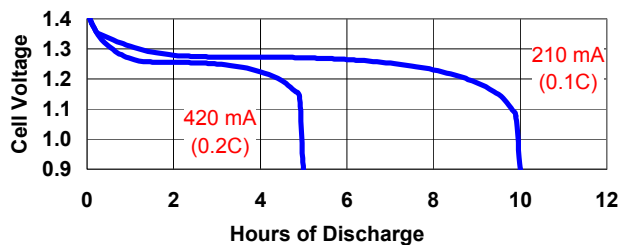
Operating and Storage Temperatures

Ranges of temperature applicable to operation of the NH15 cells are:

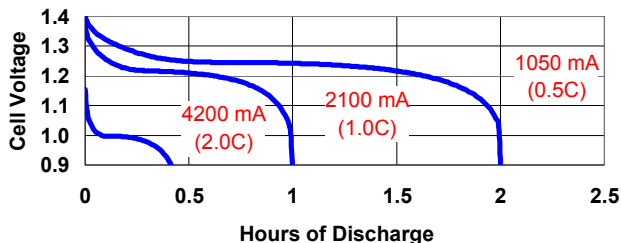
- Charge @ 0.1C:** 32°F to 122°F (0°C to 50°C)
- Discharge @ 0.1C:** -4°F to 122°F (-20°C to 50°C)
- Storage:** -40°F to 122°F (-40°C to 50°C)
 (6 Months Max.)
 -4°F to 95°F (-20°C to 35°C)
 (2 Years Max.)

Operating at extreme temperature will significantly affect service and cycle life.

TYPICAL DISCHARGE CHARACTERISTICS
 Average Performance at 21°C (70°F)



TYPICAL DISCHARGE CHARACTERISTICS
 Average Performance at 21°C (70°F)



Important Notice

This data sheet contains information specific to batteries manufactured at the time of its publication.

Contents herein do not constitute a warranty.

Copyright © Eveready Battery Co. Inc. - All Rights Reserved